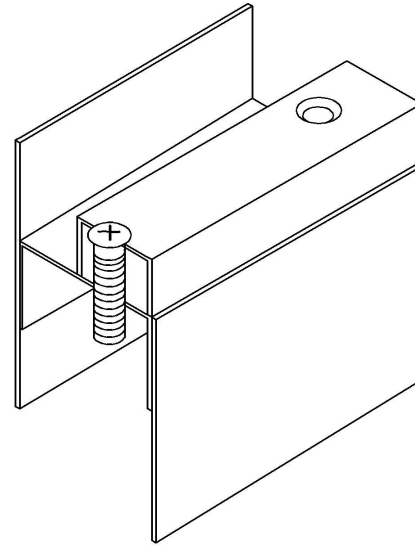
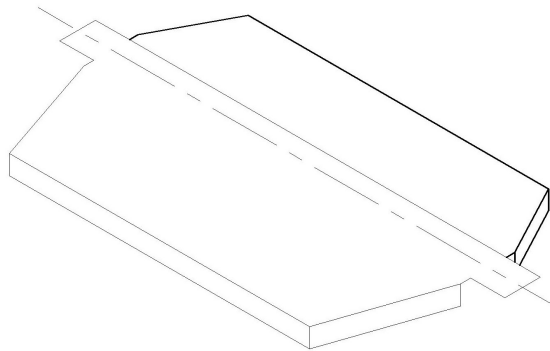


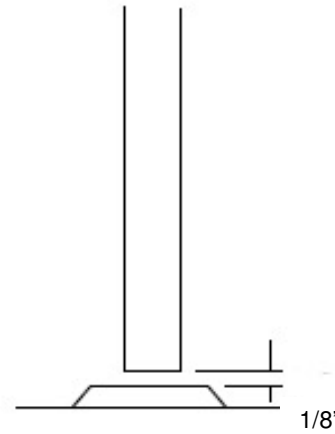
Kit for 1/4" or Less Glass Thickness for 1-3/5" Door



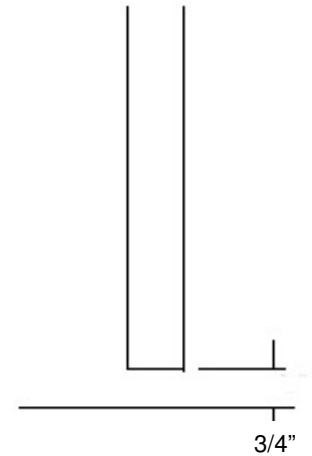
Kit for Glass Thickness Greater than 1/4" for 1-3/4" Door
(Door Skin Used As Stop)




Dutch Door Shelf



Undercut Above Threshold



Undercut No Thresnoia

 Custom Metal Products	Project: _____	Standard Door Details		DWG N.T.S
	Drawn By: _____	Date: _____	Sheet _____ of _____	