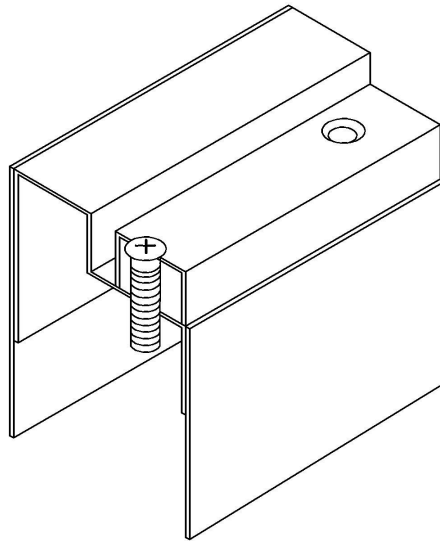
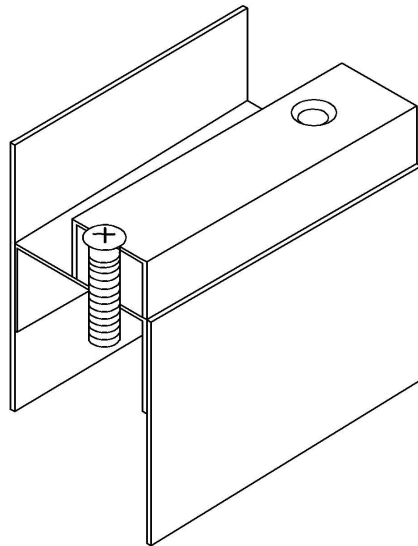


# STANDARD FLUSH LITE KITS



Kit for 1/4" or Less Glass Thickness for 1-3/4" Door



Kit for Glass Thickness Greater than 1/4" for 1-3/4" Door  
(Door Skin Used As Stop)



150 Division Drive  
Wilmington, NC 28401  
[www.CustomMetalProductsNC.com](http://www.CustomMetalProductsNC.com)  
Revised 041407

Phone: 866-893-3338  
Fax: 866-963-1355  
[Info@CustomMetalProducts.bz](mailto:Info@CustomMetalProducts.bz)